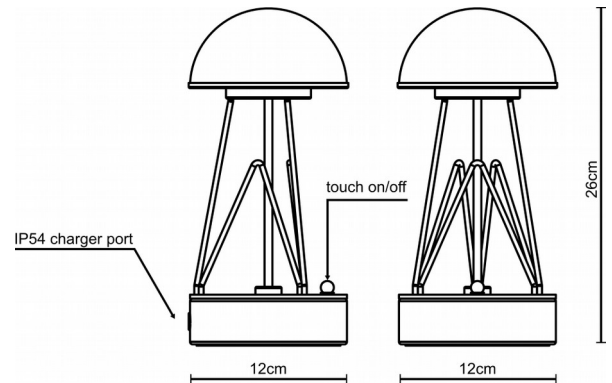


TESLA LAMP



FEATURES

Our wireless lamp is a tribute inspired by Tesla's Wardenclyffe tower, one of many his projects which explored the concept of wireless transmission of electricity. The wire construction of the lamp is reduced form of the original tower. On the top of the lamp there is glass sphere which comes in different patterns.

MATERIAL

Steel, satin brass and muralo glass „pulegoso“.

PRODUCT CODE

TESLA LAMP | -- (steel finish)

CLEANING INSTRUCTIONS

Clean with a soft dry cloth only. Do not use polishing agents, water or abrasive materials when cleaning. Always switch off the electricity supply before cleaning.

STEEL FINISH

Powder coating , customization on request.



S04
mat white
powder coating

S05
mat black
powder coating

S12
anodic bronze
powder coating

PACKAGING AND WEIGHT

1 box 15cm x 15cm x 28cm 2kg

TYPE

Table lamp

RECOMMENDED LAMP

1 X led modul 180lm 1W 3000K on/off
18 Hour run time

CERTIFICATIONS

