

SP BIRO 90

Type: Ceiling/Pendant lamp

Material: handmade pounge fabric, powder coating steel,

Dimension: d. 90 H18cm (lampshade) max elevation 200cm

Certification: CE | Class 1 | I P20

Packaging: 0,92 x 0,92 x 0, 23mt

Weight: 9kg

Product code: SPBIRO90

Source: Led strip

Color temperature tollerance: CRI<80

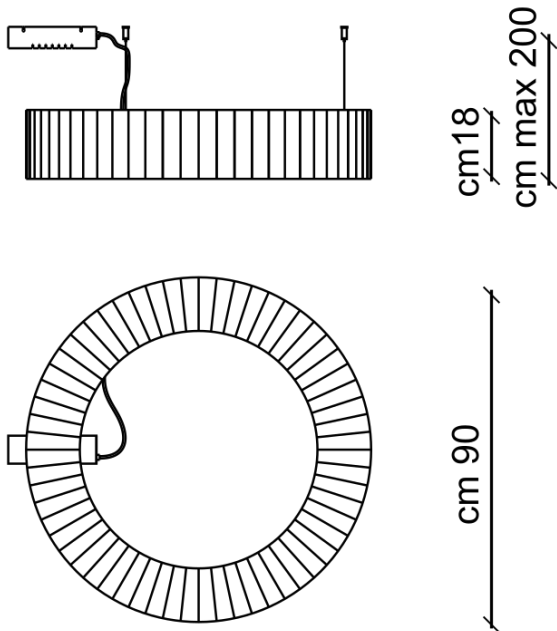
Luminous flux, Lm: 7000lm

Color: 3000K (others on request)

Power consupion: 48Watt

dimmmable sistem: on/off (1. . 10V push,DALI on request)

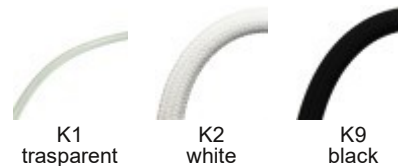
Energy class: A++



Fabric: Elastic fabric



Cable:



Metal finish : powder coating



Cleaning instruction: Clean with a soft dry cloth only. Do not use polishing agents, water or abrasive materials when cleaning. Always switch off the electricity supply before cleaning.

Made in Croatia

Lika light is a trademark owned by Lika svjetlo d. o. o.