

# SP BIRO 90/60

Type: Pendant lamp

Material: handmade pounge fabric, powder coating steel.

Dimension: d. 90 H18cm

Certification: CE | Class 1 | I P20

Packaging: 0,95 x 0,955 x 0, 29mt

Weight: max 10kg

Product code: SPBIRO90/60

Source: led strip

Color temperature tolerance: CRI<80

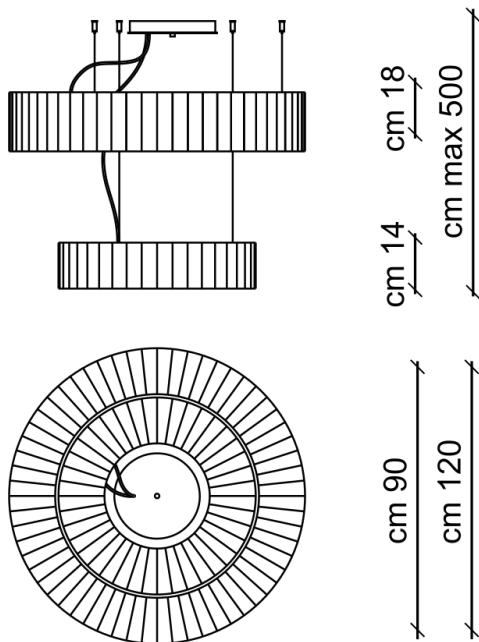
Luminous flux, Lm: 11000lm

Color: 3000K (others on request)

Power consumption: 77,5Watt

dimmmable sistem: no, on/off ( 1. . 10V push,DALI on request)

Energy class: A++



### Fabric: Pounge fabric



### Cable:



### Metal finish powder coating



Cleaning instruction: Clean with a soft dry cloth only. Do not use polishing agents, water or abrasive materials when cleaning. Always switch off the electricity supply before cleaning.

Made in Croatia

Lika light is a trademark owned by Lika svjetlo d. o. o.