

APPIER

Type: Wall lamp

Material: chinz fabric, powder coating steel.

Dimension: 20cm x H36cm x 26cm

Certification: CE | Class 1 | IP20

Packaging: 0,3 x 0,3 x 0,35mt

Weight: 2kg

Product code: APPIER

Source: 1 x E27 led bulb 9W (not included)

Color temperature tolerance: -

Luminous flux, Lm: -

Color: -

Power consumption: 9Watt

dimnable sistem: no (dimnable with dimmable led bulbs)

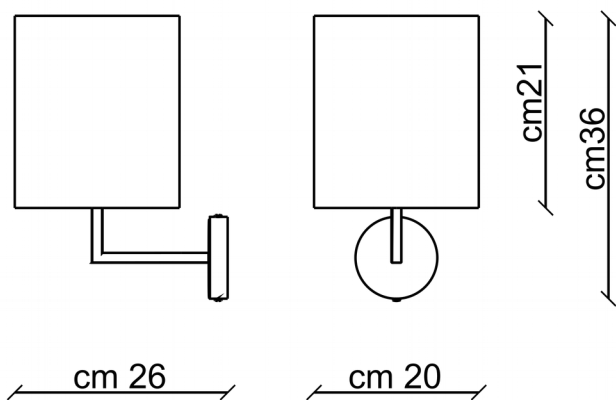
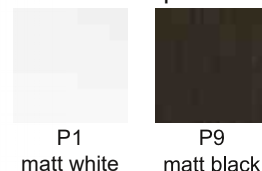
Energy class: A++



Fabric: Chintz paired pvc fire-proof



Metal finish : powder coating



Cleaning instruction: Clean with a soft dry cloth only. Do not use polishing agents, water or abrasive materials when cleaning. Always switch off the electricity supply before cleaning.

Made in Croatia

Lika light is a trademark owned by Lika svjetlo d. o. o.

Lika svjetlo d. o. o. | Smiljansko polje 71/4 53000 Gospić HR | T. +385 53639204 | F. +385 53639243 | info@lika-svjetlo.hr | www.lika-svjetlo.hr